

Résultats du Championnat FSUB
de Judo Individuel
Salle de l'UMONS
Mercredi 8 décembre 2021



FSUB Judo Championship 08/12/2021 D-52

Competitors: 3

Competitors

#	Name	Club	1	2	3	Wins	Pts	Pos
1	OLIVIA FILIPETTO (?) ULB			0	10	1	10	2
2	LUDIVINE GROSSI (?) UCLouvain Wolves		1		1	2	2	1
3	MARINA SOUSA ESPINHO (?) HEVinci		0	0		0	0	3

Matches

Match	White			Blue	Result	Time
1	OLIVIA FILIPETTO	1	2	LUDIVINE GROSSI	0 - 1	4:00
2	OLIVIA FILIPETTO	1	3	MARINA SOUSA ESPINHO	10 - 0	3:55
3	LUDIVINE GROSSI	2	3	MARINA SOUSA ESPINHO	1 - 0	4:00

Results

Pos	Name
1	LUDIVINE GROSSI UCLouvain Wolves
2	OLIVIA FILIPETTO ULB
3	MARINA SOUSA ESPINHO HEVinci

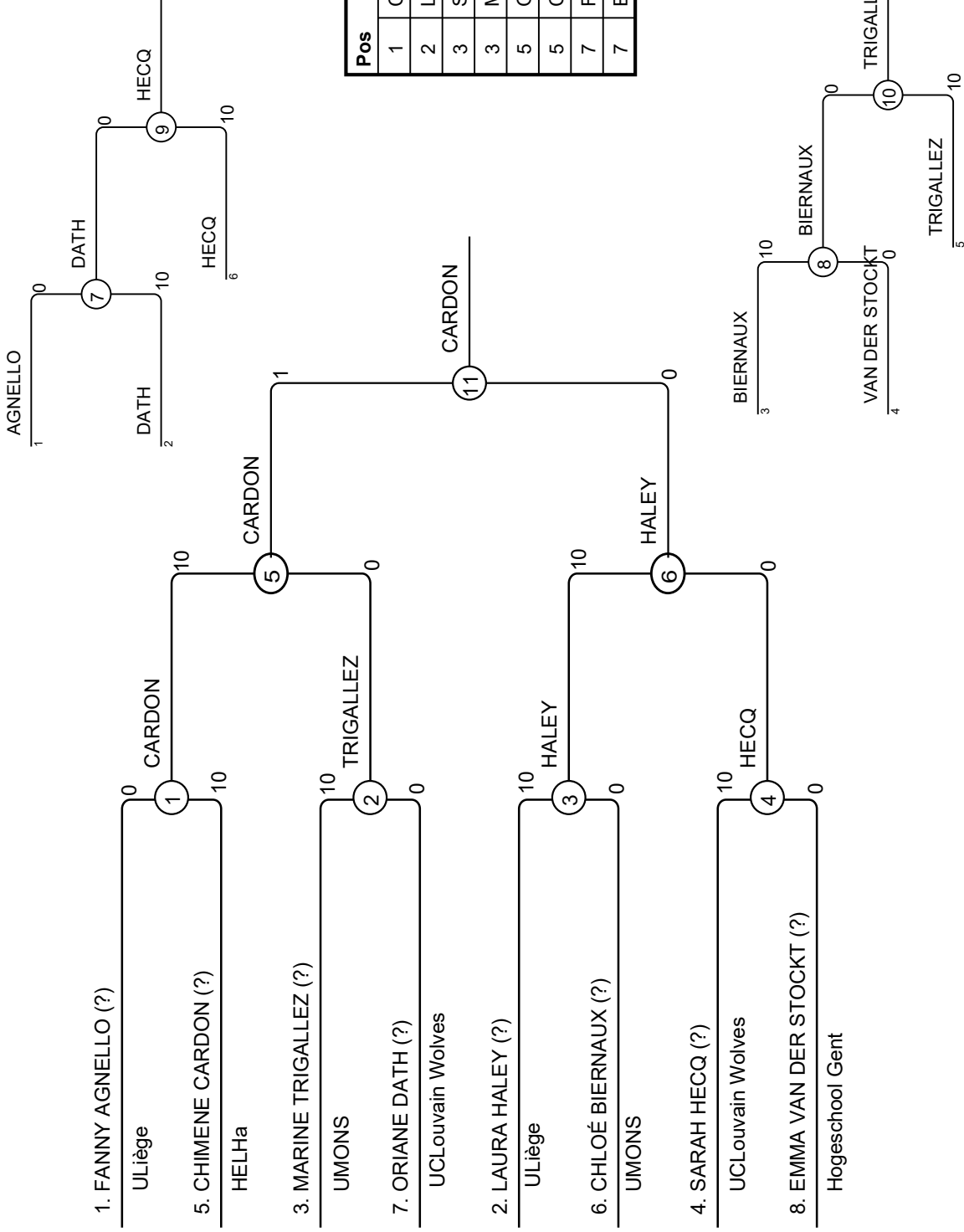
B.U.S.F. - F.S.U.B.



FSUB Judo Championship 08/12/2021 D-57



Competitors: 8

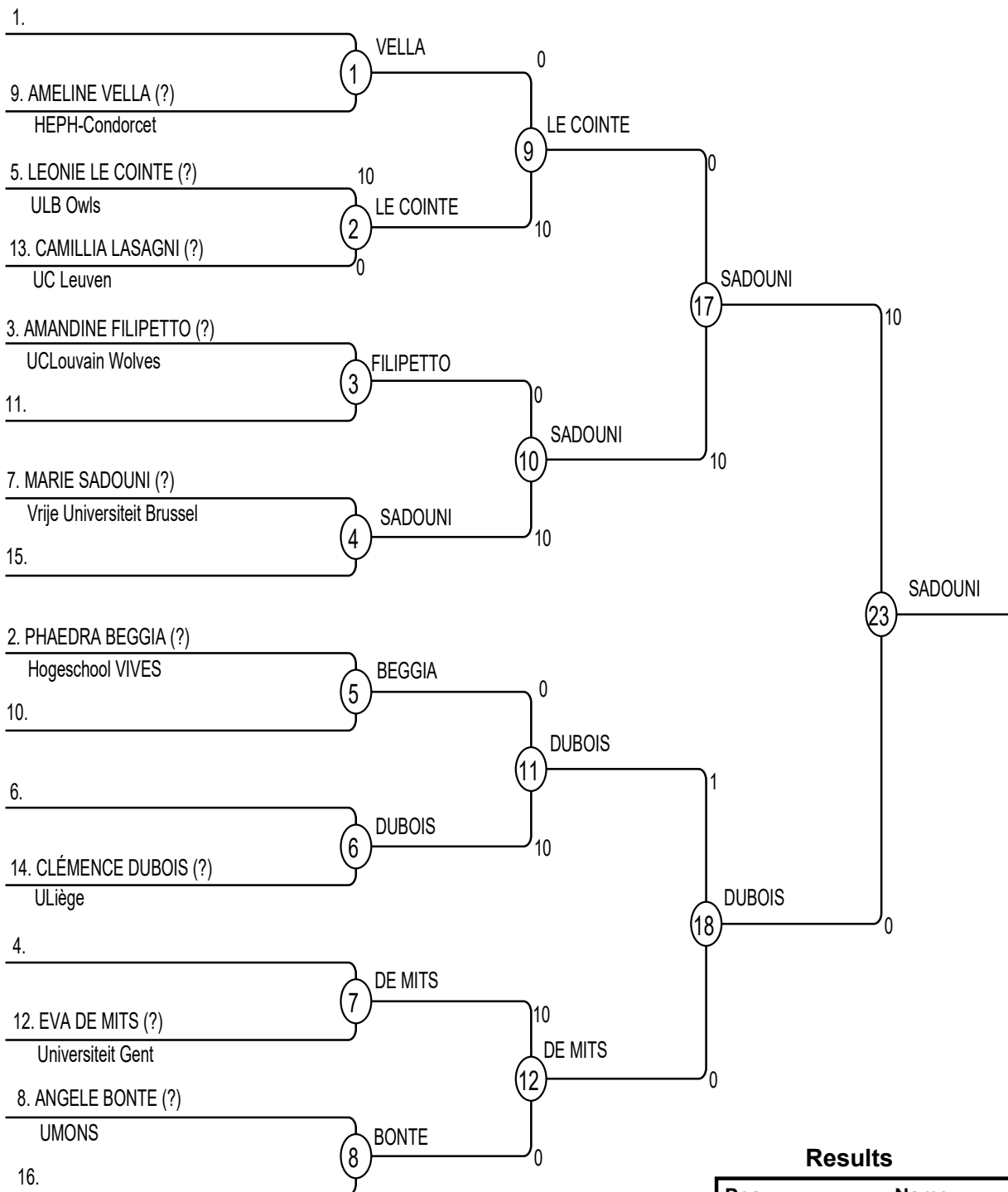


Results

Pos	Name
1	CHIMENE CARDON HELHa
2	LAURA HALEY ULiège
3	SARAH HECQ UCLouvain Wolves
3	MARIANE TRIGALLEZ UMONS
5	ORIANE DATH UCLouvain Wolves
5	CHLOÉ BIERNAUX UMONS
7	FANNY AGNELLO ULiège
7	EMMA VAN DER STOCKT Hogeschool Gent

FSUB Judo Championship 08/12/2021 D-63

Competitors: 9



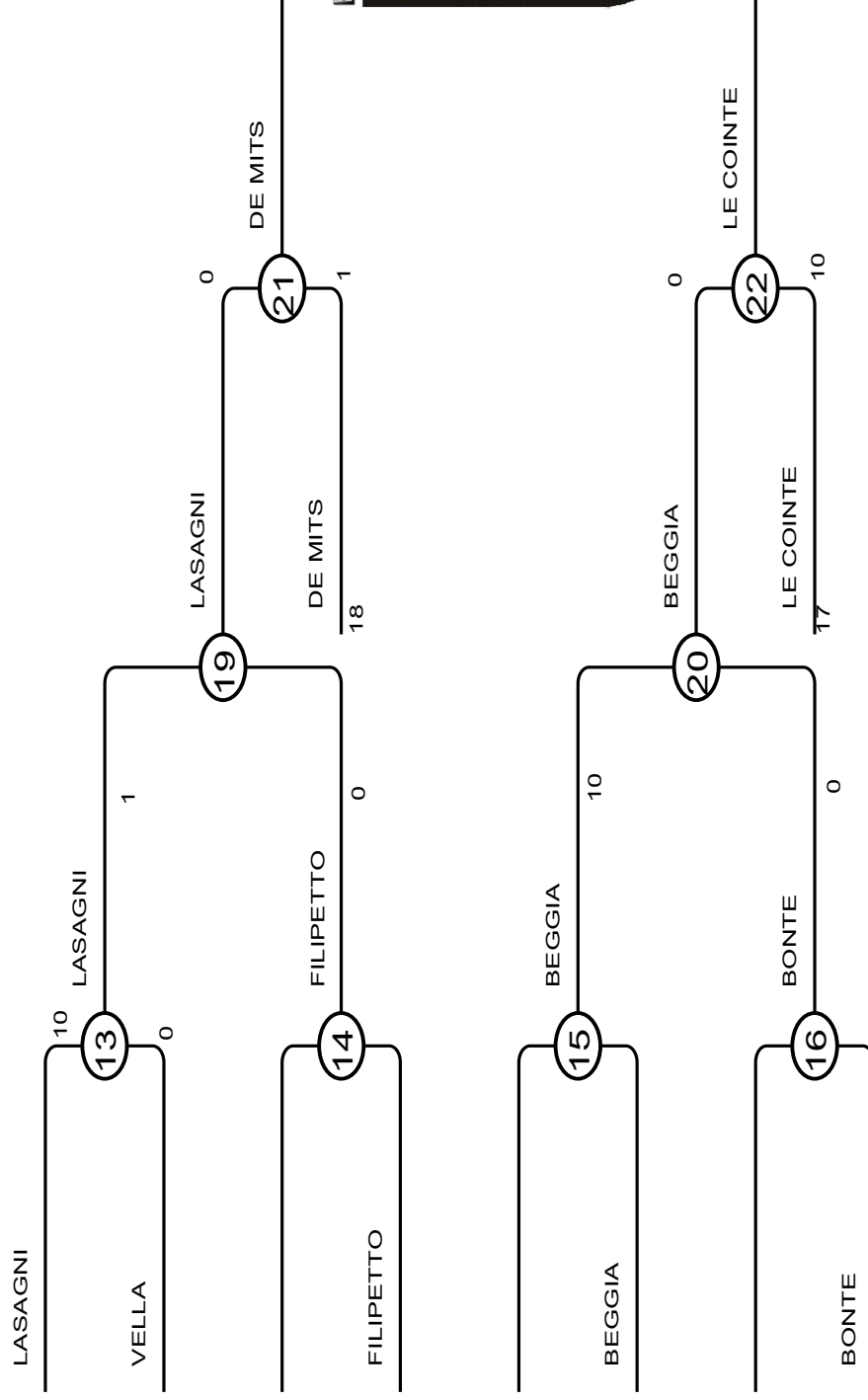
Results

Pos	Name
1	MARIE SADOUNI Vrije Universiteit Brussel
2	CLÉMENCE DUBOIS ULiège
3	EVA DE MITS Universiteit Gent
3	LEONIE LE COINTE ULB Owls
5	CAMILLIA LASAGNI UC Leuven
5	PHAEDRA BEGGIA Hogeschool VIVES
7	AMANDINE FILIPETTO UCLouvain Wolves
7	ANGELE BONTE UMONS



REPECHAGE

FSUB Judo Championship 08/12/2021 D-63



FSUB Judo Championship 08/12/2021 D-70

Competitors: 4

Competitors

#	Name	Club	1	2	3	4	Wins	Pts	Pos
1	MANON BUCHALLET (?) UCLouvain Wolves			0	0	10	1	10	3
2	LUCIE HECQ (?) UCLouvain Wolves		10		10	10	3	30	1
3	ANAËLLE DUFOUR CASTRONUOVO (?) Vrije Universiteit Brussel		10	0		10	2	20	2
4	LEÏLA BOUTANTIN (?) HEPH-Condorcet		0	0	0		0	0	4

Matches

Match	White	Blue	Result	Time
1	MANON BUCHALLET	1 2 LUCIE HECQ	0 - 10	0:12
2	ANAËLLE DUFOUR CASTRONUOVO	3 4 LEÏLA BOUTANTIN	10 - 0	1:37
3	MANON BUCHALLET	1 3 ANAËLLE DUFOUR CASTRONUOVO	0 - 10	3:27
4	LUCIE HECQ	2 4 LEÏLA BOUTANTIN	10 - 0	0:20
5	MANON BUCHALLET	1 4 LEÏLA BOUTANTIN	10 - 0	
6	LUCIE HECQ	2 3 ANAËLLE DUFOUR CASTRONUOVO	10 - 0	1:40

Results

Pos	Name
1	LUCIE HECQ UCLouvain Wolves
2	ANAËLLE DUFOUR CASTRONUOVO Vrije Universiteit Brussel
3	MANON BUCHALLET UCLouvain Wolves
4	LEÏLA BOUTANTIN HEPH-Condorcet

B.U.S.F. - F.S.U.B.



FSUB Judo Championship 08/12/2021 D-78

Competitors: 1

Competitors

#	Name	Club	1	Wins	Pts	Pos
1	MADELEINE BURTON (?) UCLouvain Wolves			0	0	1

Matches

Match	White	Blue	Result	Time
-------	-------	------	--------	------

Results

Pos	Name
1	MADELEINE BURTON UCLouvain Wolves

B.U.S.F. - F.S.U.B.



FSUB Judo Championship 08/12/2021 H-60

Competitors: 5

Competitors

#	Name	Club	1	2	3	4	5	Wins	Pts	Pos
1	ARNAUD VELLA (?) UMONS			0	0	0	0	0	0	5
2	SANDA ANDRIANJAKAVELO (?) ULB Owls		10		0	0	0	1	10	4
3	BENJAMIN ALJIJA (?) Hogeschool Gent		10	10		10	10	4	40	1
4	ARNAUD LALLEMAND (?) HEPL		10	10	0		0	2	20	3
5	JONAS GEERTS (?) Universiteit Gent		10	10	0	10		3	30	2

Matches

Match	White	Blue	Result	Time
1	ARNAUD LALLEMAND	4 5 JONAS GEERTS	0 - 10	2:58
2	ARNAUD VELLA	1 2 SANDA ANDRIANJAKAVELO	0 - 10	0:47
3	BENJAMIN ALJIJA	3 4 ARNAUD LALLEMAND	10 - 0	1:17
4	ARNAUD VELLA	1 5 JONAS GEERTS	0 - 10	2:09
5	SANDA ANDRIANJAKAVELO	2 3 BENJAMIN ALJIJA	0 - 10	1:50
6	ARNAUD VELLA	1 4 ARNAUD LALLEMAND	0 - 10	0:46
7	BENJAMIN ALJIJA	3 5 JONAS GEERTS	10 - 0	2:08
8	SANDA ANDRIANJAKAVELO	2 4 ARNAUD LALLEMAND	0 - 10	4:48
9	ARNAUD VELLA	1 3 BENJAMIN ALJIJA	0 - 10	2:06
10	SANDA ANDRIANJAKAVELO	2 5 JONAS GEERTS	0 - 10	1:15

Results

Pos	Name
1	BENJAMIN ALJIJA Hogeschool Gent
2	JONAS GEERTS Universiteit Gent
3	ARNAUD LALLEMAND HEPL
4	SANDA ANDRIANJAKAVELO ULB Owls
5	ARNAUD VELLA UMONS

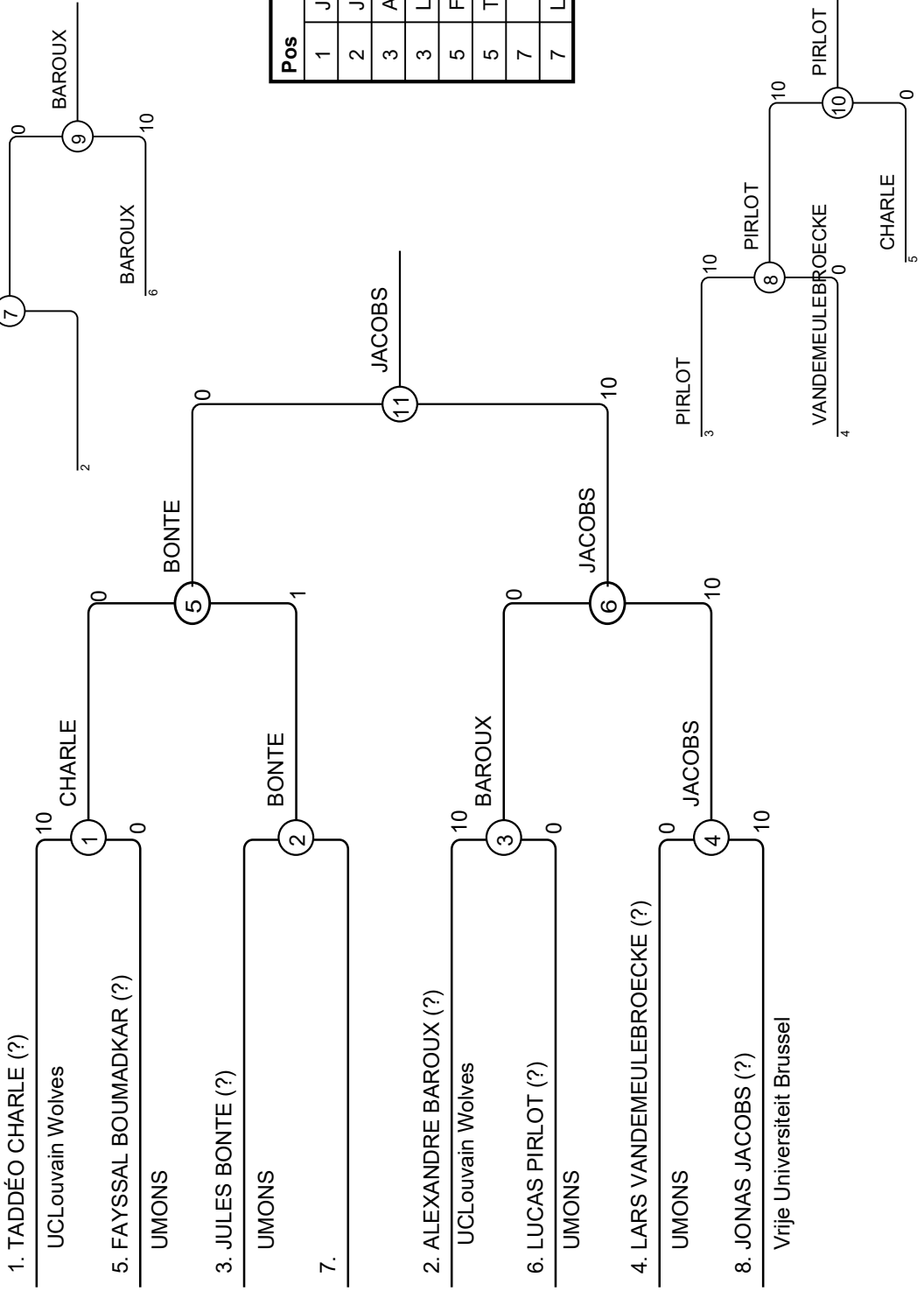
B.U.S.F. - F.S.U.B.



FSUB Judo Championship 08/12/2021 H-66



Competitors: 7

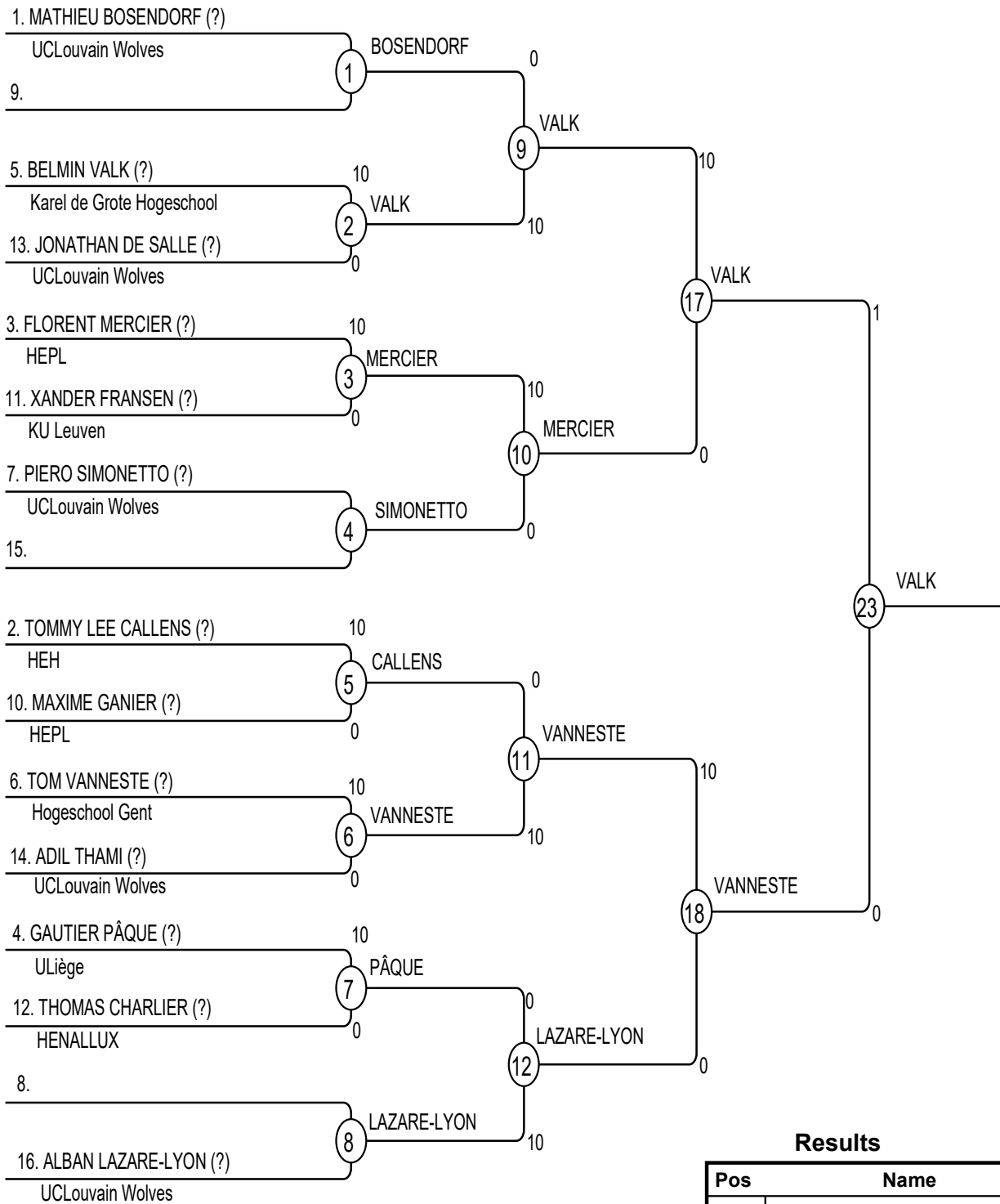


Results

Pos	Name
1	JONAS JACOBS Vrije Universiteit Brussel
2	JULES BONTE UMONS
3	ALEXANDRE BAROUX UCLouvain Wolves
3	LUCAS PIRLOT UMONS
5	FAYSSAL BOUMADKAR UMONS
5	TADDÉO CHARLE UCLouvain Wolves
7	
7	LARS VANDEMEULEBROECKE UMONS

FSUB Judo Championship 08/12/2021 H-73

Competitors: 13



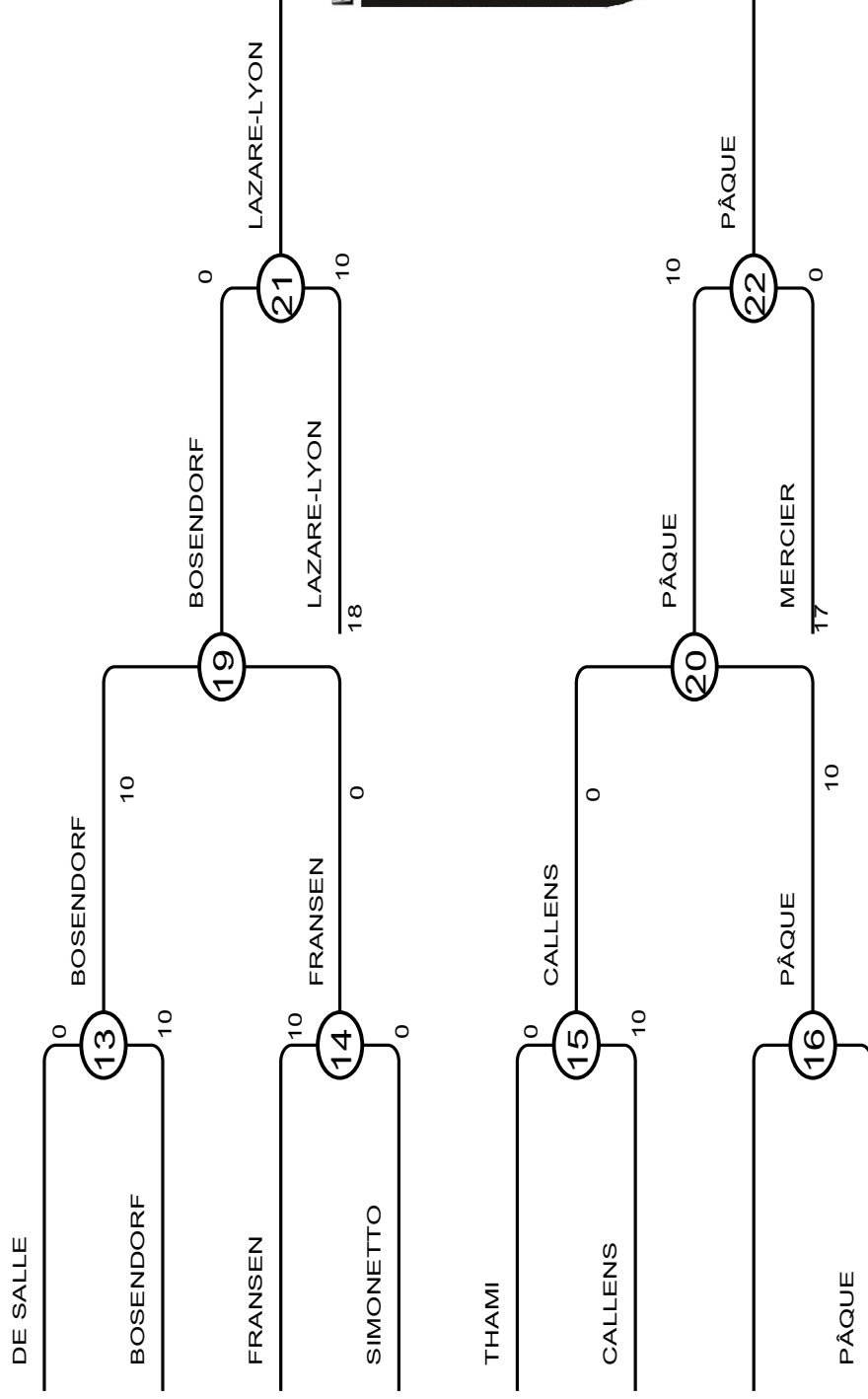
Results

Pos	Name
1	BELMIN VALK Karel de Grote Hogeschool
2	TOM VANNESTE Hogeschool Gent
3	ALBAN LAZARE-LYON UCLouvain Wolves
3	GAUTIER PÂQUE Uliège
5	MATHIEU BOSENDORF UCLouvain Wolves
5	FLORENT MERCIER HEPL
7	XANDER FRANSEN KU Leuven
7	TOMMY LEE CALLENS HEH



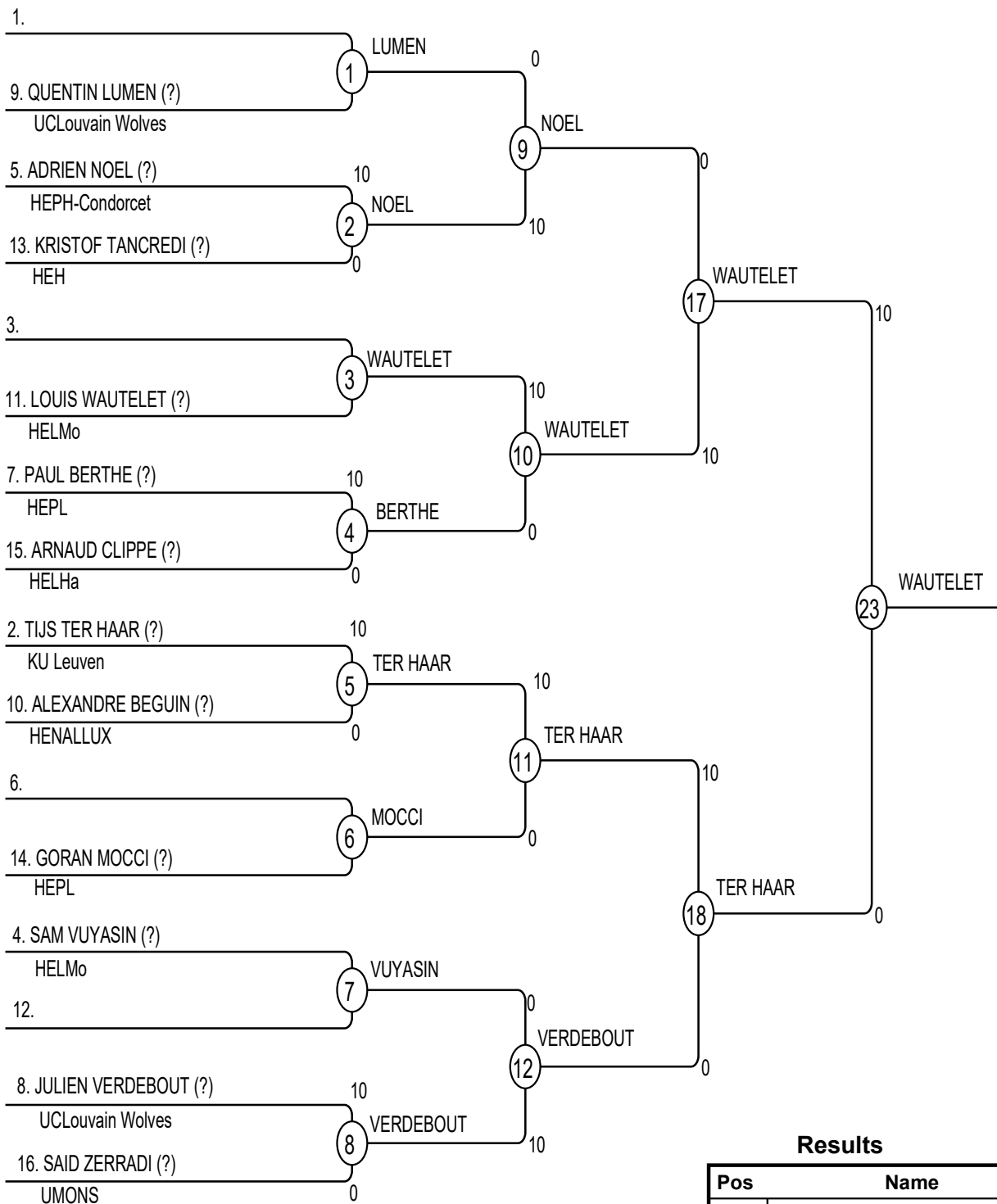
REPECHAGE

FSUB Judo Championship 08/12/2021 H-73



FSUB Judo Championship 08/12/2021 H-81

Competitors: 12



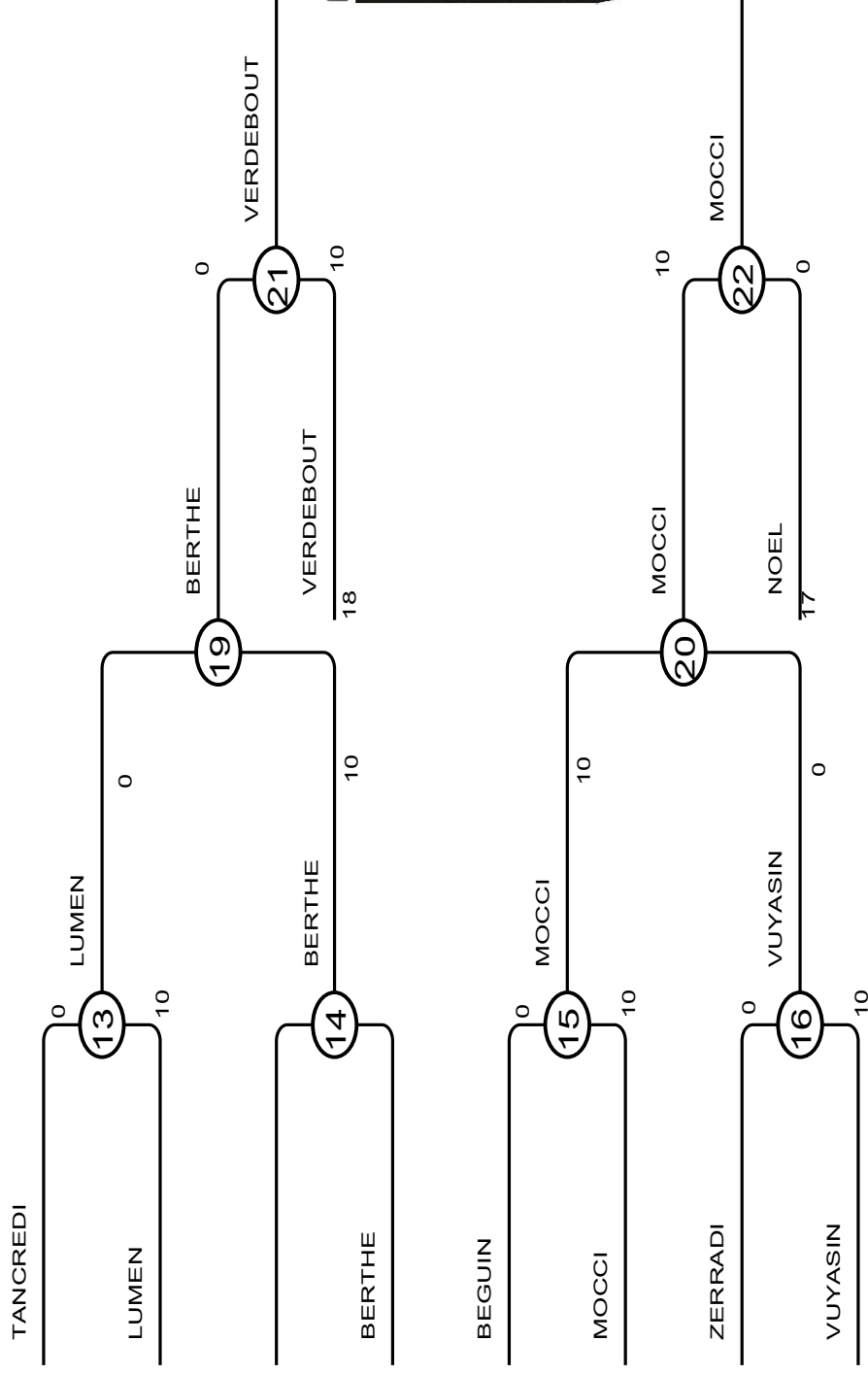
Results

Pos	Name
1	LOUIS WAUTELET HELMo
2	TIJS TER HAAR KU Leuven
3	JULIEN VERDEBOUT UCLouvain Wolves
3	GORAN MOCCI HEPL
5	PAUL BERTHE HEPL
5	ADRIEN NOEL HEPH-Condorcet
7	QUENTIN LUMEN UCLouvain Wolves
7	SAM VUYASIN HELMo



REPECHAGE

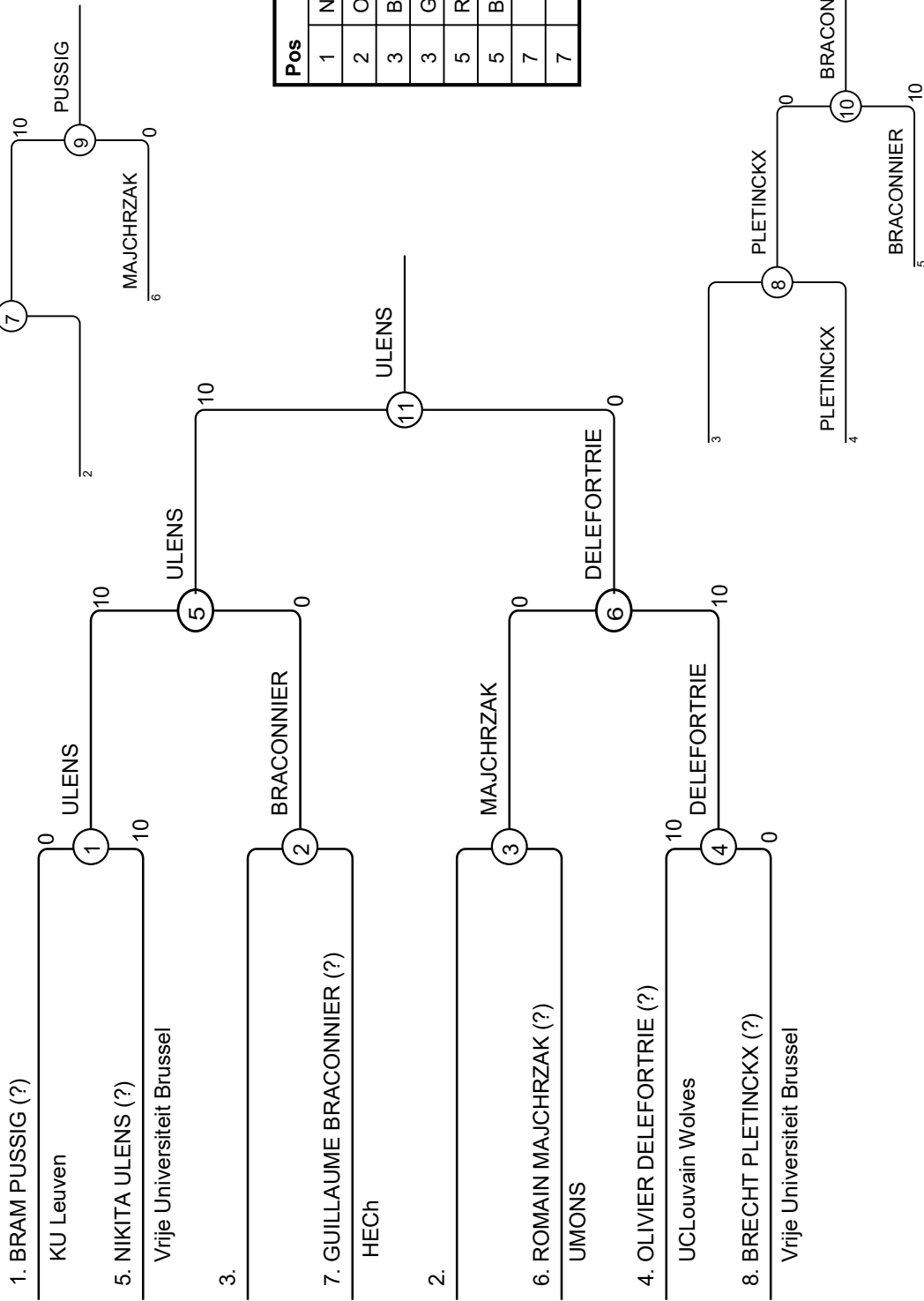
FSUB Judo Championship 08/12/2021 H-81



FSUB Judo Championship 08/12/2021 H-90



Competitors: 6



Results

Pos	Name
1	NIKITA ULENS Vrije Universiteit Brussel
2	OLIVIER DELEFORTRIE UCLowain Wolves
3	BRAM PUSSIG KU Leuven
3	GUILLAUME BRACONNIER HECh
5	ROMAIN MAJCHRZAK UMONS
5	BRECHT PLETINCKX Vrije Universiteit Brussel
7	
7	

FSUB Judo Championship 08/12/2021 H-100

Competitors: 5

Competitors

#	Name	Club	1	2	3	4	5	Wins	Pts	Pos
1	LOÏC NICOLAIJE (?) HELB			0	10	10	10	3	30	2
2	JOSE CASTILLO TANGER (?) HEVinci		10		10	10	10	4	40	1
3	TENGIZ ALOUYAN (?) HELMo		0	0		10	10	2	20	3
4	NEMO GHIDETTI (?) UMONS		0	0	0		10	1	10	4
5	JOE EKANGA (?) UMONS		0	0	0	0		0	0	5

Matches

Match	White	Blue	Result	Time
1	NEMO GHIDETTI	4 5 JOE EKANGA	10 - 0	2:16
2	LOÏC NICOLAIJE	1 2 JOSE CASTILLO TANGER	0 - 10	0:37
3	TENGIZ ALOUYAN	3 4 NEMO GHIDETTI	10 - 0	0:46
4	LOÏC NICOLAIJE	1 5 JOE EKANGA	10 - 0	1:54
5	JOSE CASTILLO TANGER	2 3 TENGIZ ALOUYAN	10 - 0	2:12
6	LOÏC NICOLAIJE	1 4 NEMO GHIDETTI	10 - 0	0:50
7	TENGIZ ALOUYAN	3 5 JOE EKANGA	10 - 0	0:11
8	JOSE CASTILLO TANGER	2 4 NEMO GHIDETTI	10 - 0	0:34
9	LOÏC NICOLAIJE	1 3 TENGIZ ALOUYAN	10 - 0	0:37
10	JOSE CASTILLO TANGER	2 5 JOE EKANGA	10 - 0	1:36

Results

Pos	Name
1	JOSE CASTILLO TANGER HEVinci
2	LOÏC NICOLAIJE HELB
3	TENGIZ ALOUYAN HELMo
4	NEMO GHIDETTI UMONS
5	JOE EKANGA UMONS

B.U.S.F. - F.S.U.B.



FSUB Judo Championship 08/12/2021 H+100

Competitors: 3

Competitors

#	Name	Club	1	2	3	Wins	Pts	Pos
1	AUDRIC SCHMITZ (?) HEPL			10	10	2	20	1
2	MARIËN INGA (?) ECAM		0		0	0	0	3
3	SOUFIANE AL AYACHI (?) UCLouvain Wolves		0	10		1	10	2

Matches

Match	White			Blue	Result	Time
1	AUDRIC SCHMITZ	1	2	MARIËN INGA	10 - 0	1:15
2	AUDRIC SCHMITZ	1	3	SOUFIANE AL AYACHI	10 - 0	0:16
3	MARIËN INGA	2	3	SOUFIANE AL AYACHI	0 - 10	1:00

Results

Pos	Name
1	AUDRIC SCHMITZ HEPL
2	SOUFIANE AL AYACHI UCLouvain Wolves
3	MARIËN INGA ECAM

B.U.S.F. - F.S.U.B.

